



50Ω TERMINATED    3 GHz    SMA    N/O    D.P.3.T. SWITCH

OPTIONS /: TTL DRIVE

**R F CHARACTERISTICS**

FREQUENCY RANGE : 0 - 3 GHz  
IMPEDANCE : 50 Ohms

FREQUENCY (GHz)	0 - 3
V.S.W.R <=	1.20
INSERT. LOSS <=	0.20 dB
ISOLATION >=	80 dB
AVER. POWER (*)	240 W

**ELECTRICAL CHARACTERISTICS**

ACTUATOR : N/O  
NOMINAL CURRENT AT 25°C (±10%) : 102 mA  
ACTUATOR VOLTAGE (Vcc) : 28V (24 to 30V) / NEGATIVE COMMON  
TERMINALS : solder pins (250°C max./30 sec.)  
TTL INPUTS (E) - High level : 2.2 to 5.5V / 800µA at 5V  
                                  - Low level : 0 to 0.8V / 20µA at 0.8V

**MECHANICAL CHARACTERISTICS**

CONNECTORS : SMA female per MIL C 39012  
LIFE : 2.000.000 cycles  
SWITCHING TIME (nominal voltage;25°C) : < 10 ms  
CONSTRUCTION : splashproof  
WEIGHT : < 100 g

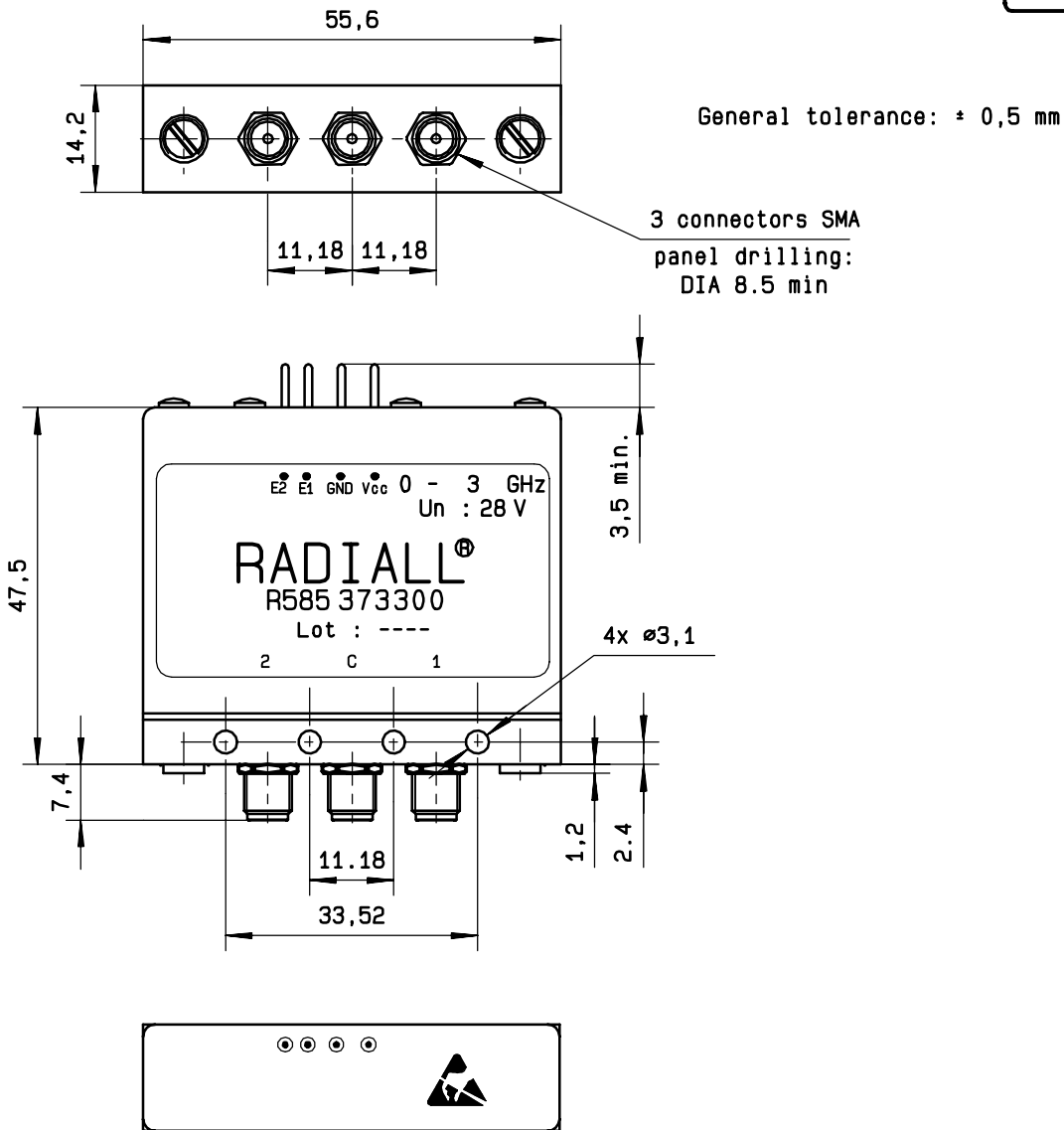
**ENVIRONMENTAL CHARACTERISTICS**

OPERATING TEMPERATURE RANGE (°C) : -40 , +85  
STORAGE TEMPERATURE RANGE (°C) : -55 , +85

(\* : average power at 25°C)

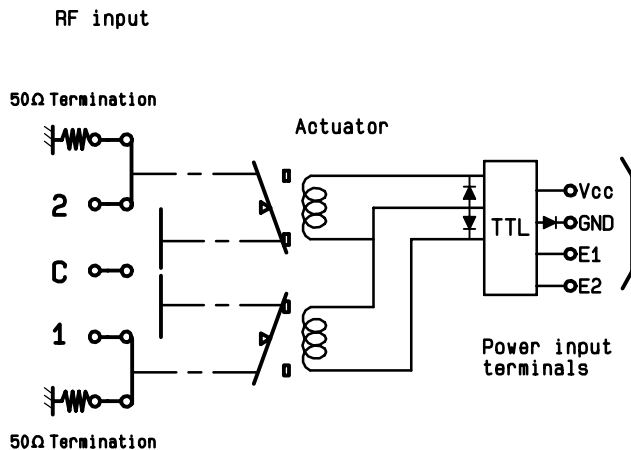
4112-9212 This information is given as an indication. In the continual goal to improve our products, we reserve the right to make any modifications judged necessary

**DRAWING**



**SCHEMATIC DIAGRAM**

Voltage	RF continuity
E1=1   E2=0	C ↔ 1 / 2 ↔ 50Ω
E1=0   E2=1	C ↔ 2 / 1 ↔ 50Ω
E1=0   E2=0	1 ↔ 50Ω / 2 ↔ 50Ω
E1=1   E2=1	Forbidden



4113-9212 This information is given as an indication. In the continual goal to improve our products, we reserve the right to make any modifications judged necessary